

Roosting Robin of the Month 2009 Second Round

Your center should now be 20 1/2 inches square.

The second round is a lattice which sets the center on point.

Select two fabrics that contrast well with each other and your background fabric.



Cutting Second Border

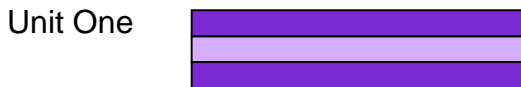
From fabric A cut sixteen strips 11 x 2 inches, eight strips 4 1/2 x 2 inches , and eight strips 1 1/2 by 2 inches.

From fabric B cut eight strips 11 x 1 1/2, and four squares 1 1/2 x 1 1/2 inches.

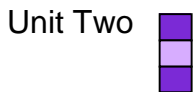
From background fabric cut two 7 inch squares; cut on one diagonal.

Sewing Instructions

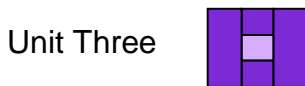
Sew one A 11 x 2 inch strip to each side of a each B 11 x 1 1/2 inch strip.



Sew one A 1 1/2 x 2 inch strips to each side of each B 1 1/2 square.



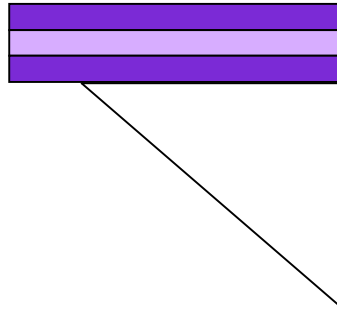
Sew one of the eight A strips (4 1/2 x 2 inches) to each side of the Unit Two units.



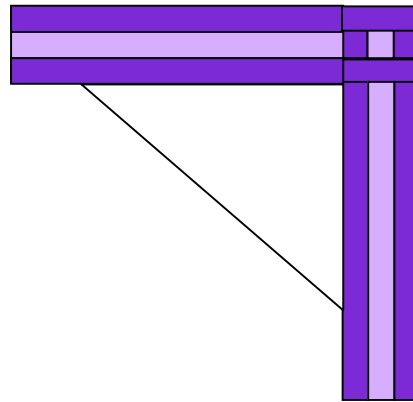
Sew one Unit Three unit to half of the Unit One units.



Sew one triangle background unit to the other half of the Unit One strips sets

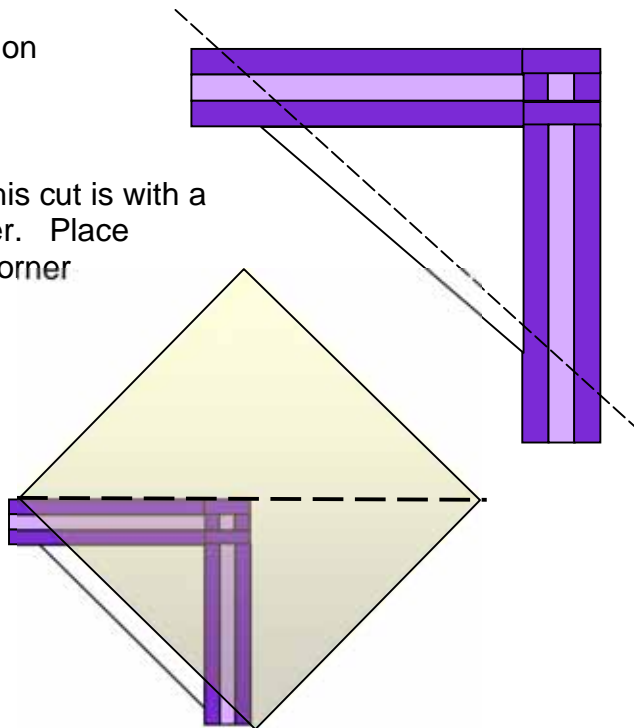


Sew the Unit Four to the end of each Unit Five



Trim this unit to 20 1/2 inch on the diagonal.

The easiest way to make this cut is with a 20 1/2 or larger square ruler. Place the 45 degree line on the corner lining it up with the edge of the unit.



Sew each of the new triangle units to the four sides of the center.

